

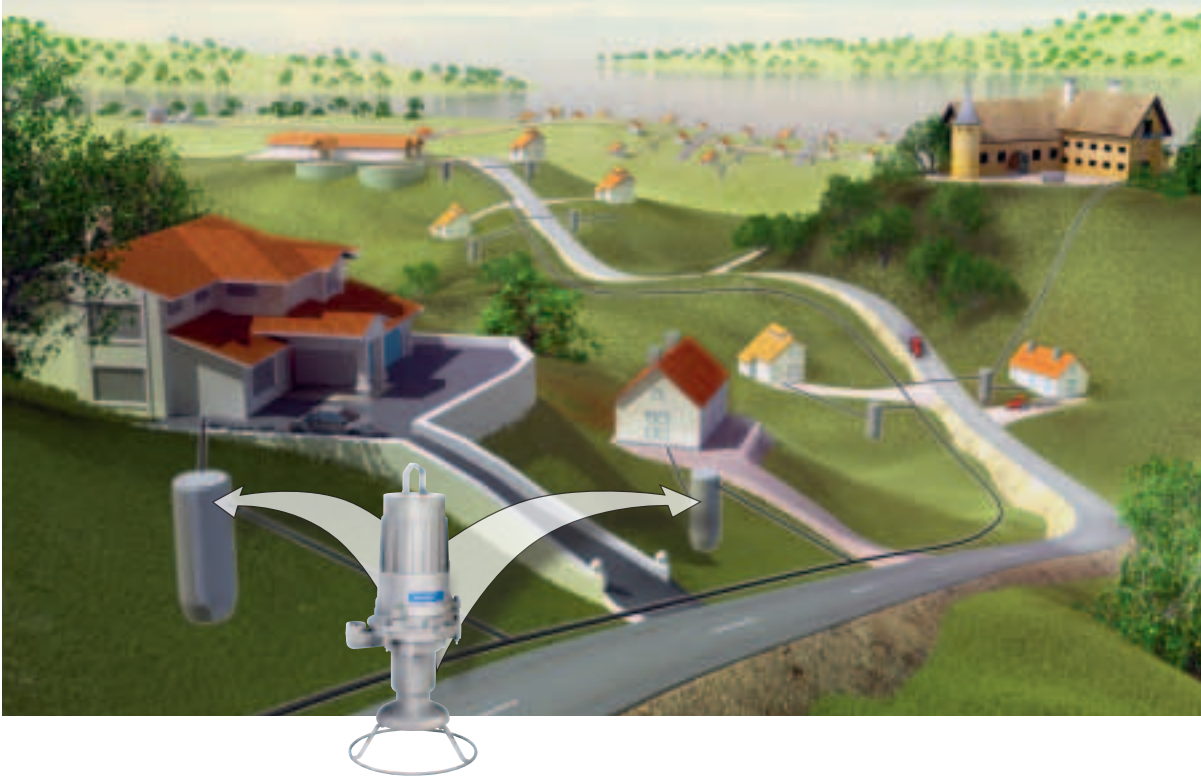


# Flygt progressing-cavity grinder pump

AN INDUSTRIAL-QUALITY PUMP FOR THE DOMESTIC USER

**FLYGT**  
a xylem brand

## Small, competitive and made to last



Home-owners want an affordable, low-ampere pump that won't clog. Wastewater consultants want a pump to recommend that will last for many years.

The Flygt progressing-cavity pump has everything you require:

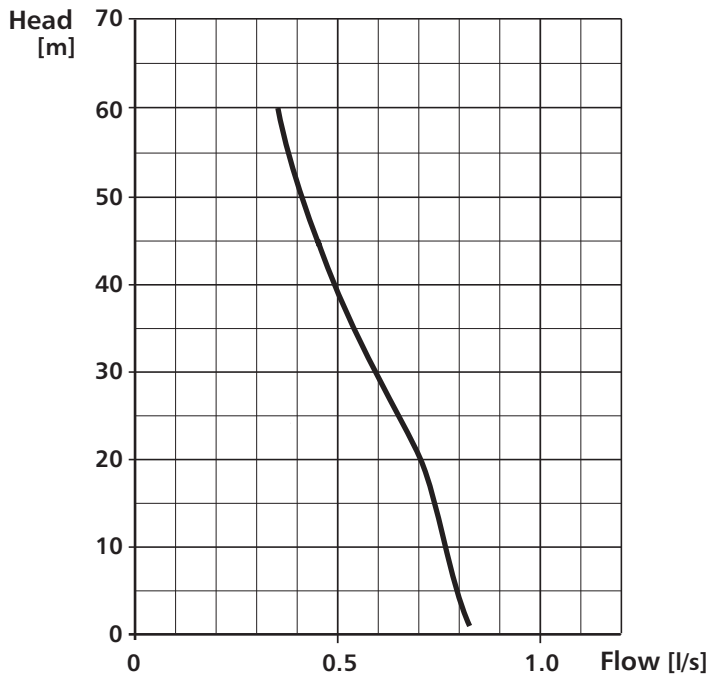
- It gives you the high head you need for pressure sewage pumping.
- It is powered by a small, low-ampere motor that runs from any standard domestic power supply\*.
- It has a robust, high-chrome steel grinding mechanism that is used in tens of thousands of municipal pump stations around the world.
- And it is a Flygt pump: a cast iron, quality product that is made to industrial specifications through and through.

### **A great package deal**

And best of all, you can order the pump as part of an all-in-one package. That's a pump, plus a prefabricated pit, plus a pump controller – in one competitive package. All from a single supplier.

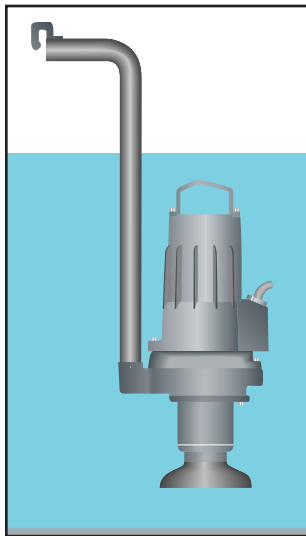
\* The pump is available in both single- and three-phase versions.

## Heads of up to 60 metres



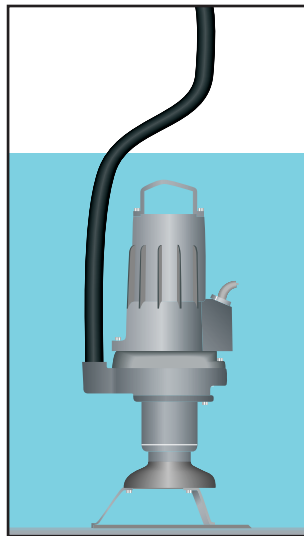
50 Hz

## How to install it



### MH 3068.175

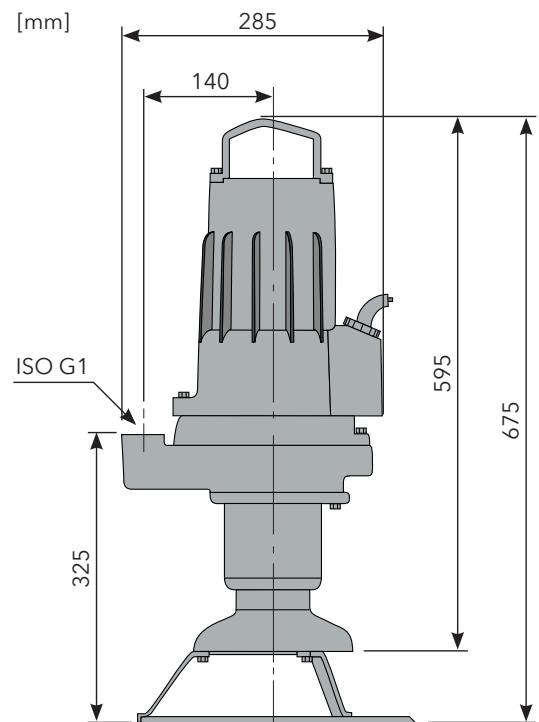
Semi-permanent, quick connection suspended hose coupling arrangement.



### MF 3068.175

Transportable version with hose coupling or flange for connection to discharge pipeline.

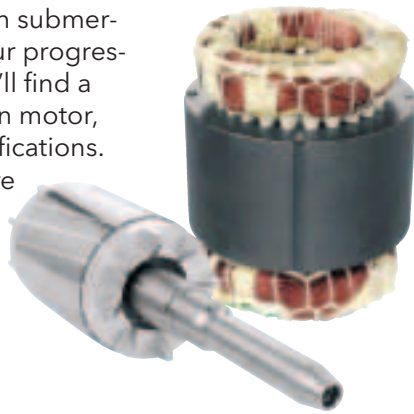
## A compact pump



# How Flygt pumps are made to last

## Class-F quality motor

At Xylem, we only use motors that are made to operate in submersible pumps. Inside our progressing-cavity pump, you'll find a squirrel cage induction motor, made to Class F specifications. The stator windings are trickle impregnated with resin and rated at 155°C (310°F), allowing up to 15 starts per hour.



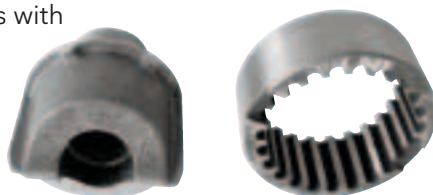
## Low flow, high heads

A Flygt progressing-cavity pump produces a stable flow at high heads. The pumping action is produced by a corkscrew-shaped rotor that turns in a rubber stator. As the rotor turns, water trapped in cavities between the rotor and stator "progresses" through the pump.



## Robust grinder

The grinding mechanism has a long and successful track-record having been used in municipal pumps for over 20 years. It is extremely robust and can handle a wide range of different solids. The grinder chops up all solid material into pieces so small that they pass through narrow pipes with ease. Made of high-chrome steel, the grinding mechanism is wear-resistant and durable.



## Double seal system

Our unique dual-tandem, double-mechanical seal system protects the motor from leakage. Working independently of each other, they offer extra security and prolong intervals between services.

## Well-balanced drives

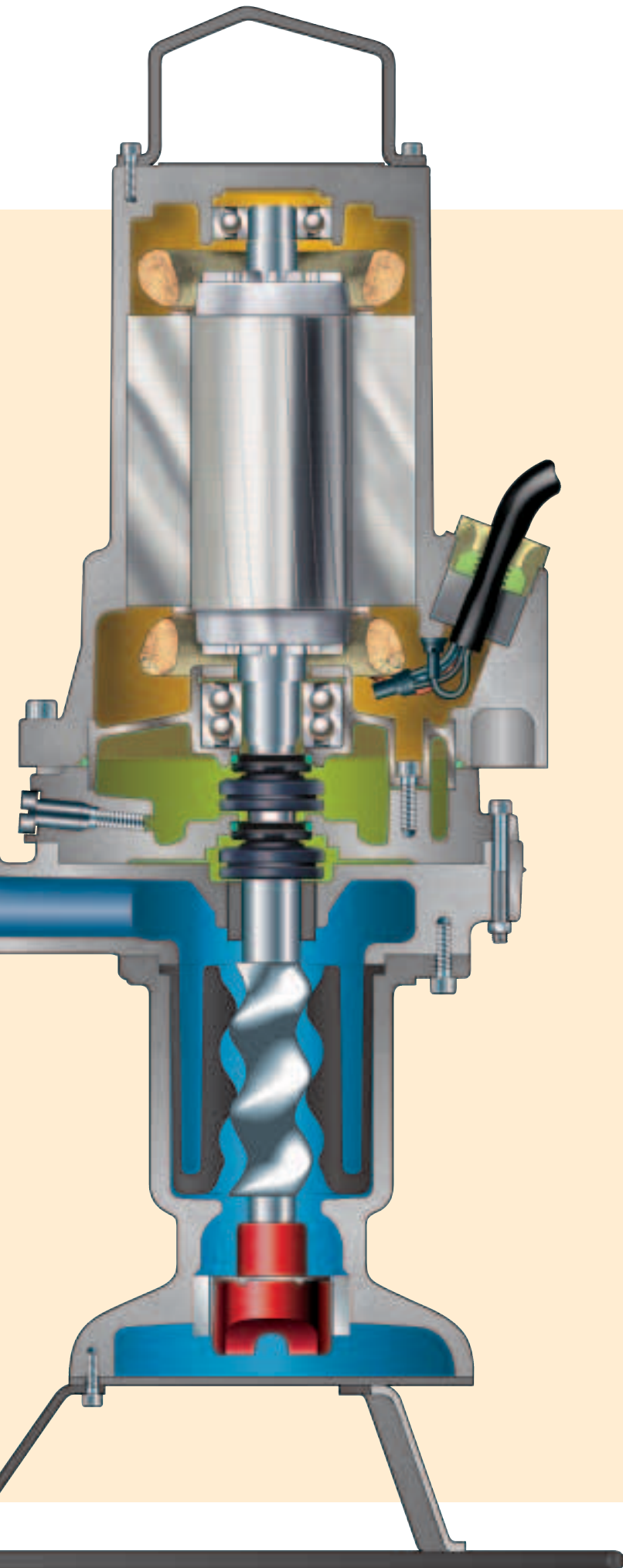
Vibrations are minimized thanks to a manufacturing process that produces shaft units to the most exacting tolerances. A smoothly running drive shaft ensures high motor efficiency and lower energy consumption. With over 100,000 units in use, the track record speaks for itself.

## Long-life bearings

Reliability is further enhanced thanks to two-row, angular-contact ball-bearings. They are pre-packed with high temperature grease for maintenance-free performance.

## Efficient motor cooling

The motor is heat-shrink fitted to ensure full metal-to-metal contact with the outer housing which is cooled by the surrounding liquid. Fins on the outside of the housing also dissipate heat.



#### **A cable made for use in water**

SUBCAB has been developed by Xylem for use in submersible applications. Due to its low liquid absorption rate, it retains its mechanical and physical properties even after long periods of use.

#### **Cable entry**

Separate sealing and strain relief functions reduce the risk of cable damage from improper handling.

#### **Cast iron reliability**

Flygt progressing-cavity pumps are made of cast iron: a material that offers good wearability and corrosion resistance. The result is a robust pump that will last for many years.

#### **Easy to install**

With its standardized connections, you can use Flygt progressing-cavity pumps in existing sumps and in Xylem's prefabricated Flygt pump stations.

# A competitive pump in a competitive package

To make life easier for wastewater consultants and installers, we have put together a package that contains a pump, pumpstation and a controller. By matching components that are optimized for domestic pump stations, we are able to offer this integrated package at a competitive price.

## A complete pump station, ready-made

Flygt Compit is a prefabricated pump station for pressurized sewage systems. It comes complete on delivery, ready for immediate installation and connection.

Made in rotomoulded polyethylene, Compit is easy to handle. The total weight, including pump and cover, is 80-240 kg, depending on the version.

## Flexible design

Flygt Compit can accommodate one or two pumps.

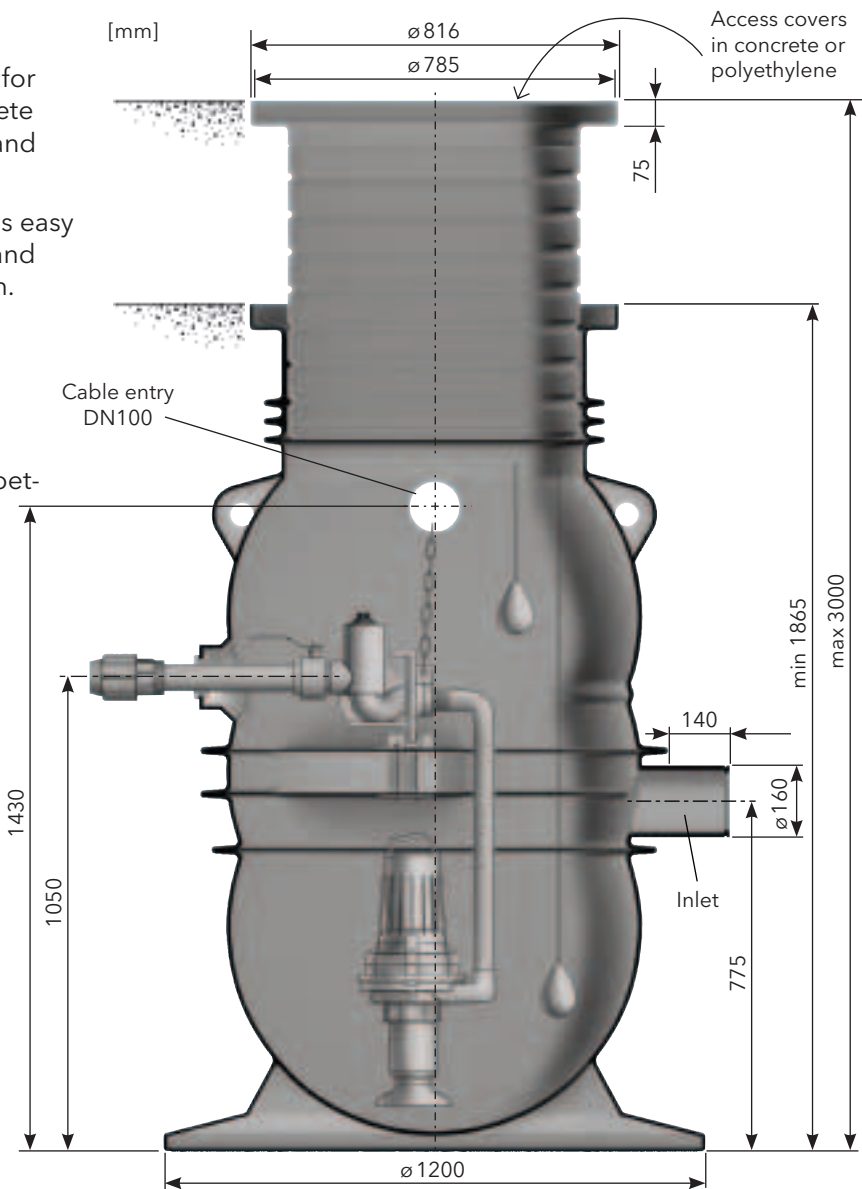
The pump station can be installed at depths between 1.9 and 3 metres. This is made possible thanks to an extension shaft that can be cut to the required length.

## Problem-free pumping

Flygt Compit has been designed to eliminate sediment build-up. With its bowl-shaped bottom and the smooth surfaces of the inner walls, the pump station is virtually self-cleaning.

## Facts and figures

- The pump is installed by simply lowering it down onto the discharge connection to which it automatically connects.
- Internal piping in stainless steel; other fittings made of surface-treated cast iron.
- The valve arrangement consists of a check valve and a shut-off valve.
- Concrete cover (40 kg) with lifting handle.
- Lifting chain in stainless steel.
- Extension shaft in polyethylene (20-40 kg).
- DN 150 inlet.
- The outlet pipe is equipped with DN 50 connection (Dy 63 mm).
- The pump station is designed to withstand earth pressure during its service lifetime.



### Cut running and service costs

A Flygt pump controller can cut the cost of running and maintaining a pump station. Our controllers are made exclusively for controlling pumps - nothing else. As the world leader in submersible pumps, we have a full range of controllers - from the most basic units to web-based surveillance systems.

The Flygt FGC is a compact controller for one or two pumps. It is ideal for residential areas and perfect for pressurized sewage systems.

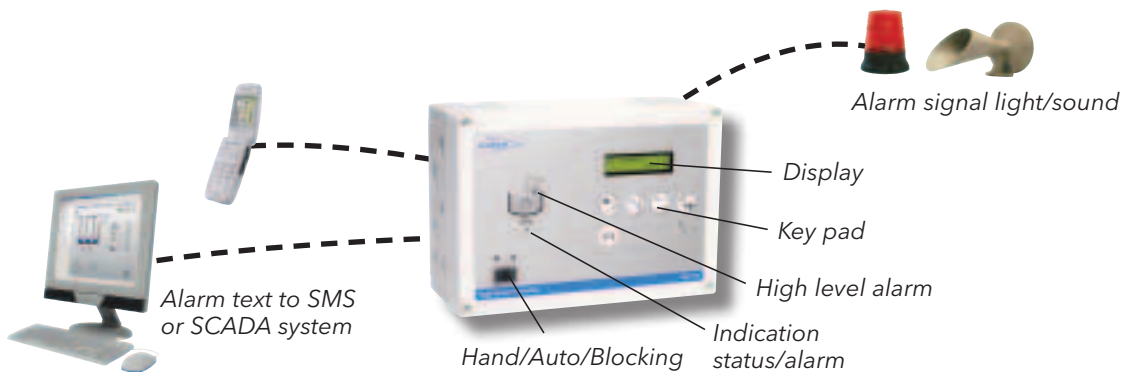
### Information at a glance

A display window and warning lights give a clear picture of the status of the pump and the water

level. Here you can also check the alarm-log, power consumption, number of starts and pump running time. Alarms that may occur will be registered in a number of ways: in the alarm log, by the warning lights and via any external alarm connected to the alarm output. Alarms can also be sent to a Flygt SCADA system or as a text-message to a mobile phone.

### Remote monitoring and control

You can connect a Flygt FGC to the Flygt Aqua-View, Xylem's SCADA system, to remotely monitor and control all your pump stations. The Flygt FGC can be connected to our SCADA system via LON, GSM, fixed telephone lines or radio.



### The pump maker that knows its systems

Designing a pressure sewage system is simple in theory, but harder in practice. Having been in the pump business for over 60 years, we have learned a thing or two about pump systems. Today, we have a team of system engineers who have the knowledge to provide qualified design recommendations and solutions. They know their theory and have had plenty of practice in the field. They are there to help. Call them.

### The pump maker that sets the standards

Xylem is a world leader in designing, manufacturing and supplying submersible centrifugal pumps. You will always be able to find the right product for the job thanks to our wide range of pumps. Whatever the head, flow or application - whether it's a small grinder or a high flow Flygt N-pump - we have a product that will do the job efficiently and reliably.

# Xylem ['zīləm]

- 1) The tissue in plants that brings water upward from the roots
- 2) A leading global water technology company

We're 12,000 people unified in a common purpose: creating innovative solutions to meet our world's water needs. Developing new technologies that will improve the way water is used, conserved, and re-used in the future is central to our work. We move, treat, analyze, and return water to the environment, and we help people use water efficiently, in their homes, buildings, factories and farms. In more than 150 countries, we have strong, long-standing relationships with customers who know us for our powerful combination of leading product brands and applications expertise, backed by a legacy of innovation.

For more information on how Xylem can help you, go to [xylem.com](http://xylem.com).



Flygt is a brand of Xylem. For the latest version of this document and more information about Flygt products visit [www.flygt.com](http://www.flygt.com)