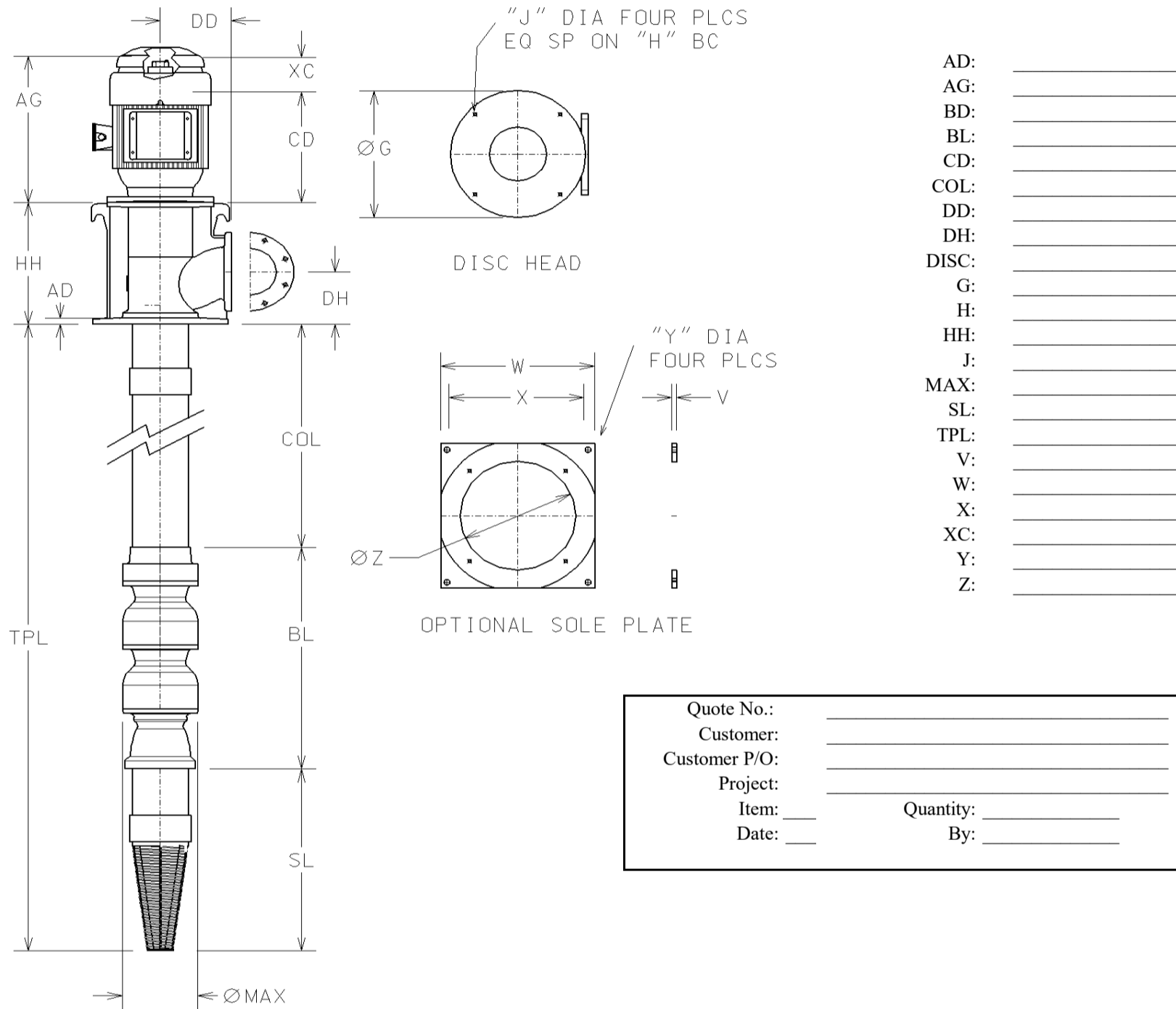


Outline Type "DWT-DITM"

200.G.01A

"DI" DUCTILE IRON HEAD, THREADED COLUMN¹



- AD: _____
- AG: _____
- BD: _____
- BL: _____
- CD: _____
- COL: _____
- DD: _____
- DH: _____
- DISC: _____
- G: _____
- H: _____
- HH: _____
- J: _____
- MAX: _____
- SL: _____
- TPL: _____
- V: _____
- W: _____
- X: _____
- XC: _____
- Y: _____
- Z: _____

Quote No.:	_____
Customer:	_____
Customer P/O:	_____
Project:	_____
Item: _____	Quantity: _____
Date: _____	By: _____

Xylem Inc.
www.xylem.com/goulds

Goulds is a registered trademark of Goulds Pumps, Inc. and is used under license.
 © 2021 Xylem Inc. D200G01A August 2021

- 1: Discharge Head Type, Column Type
- 2: Suction Position, Discharge Head Type, Column Type
- 3: Discharge Position, Discharge Head Type, Column Type