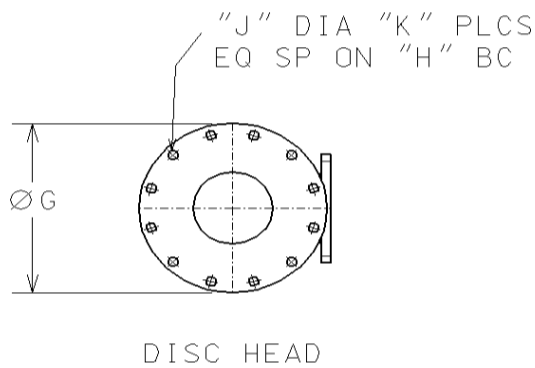
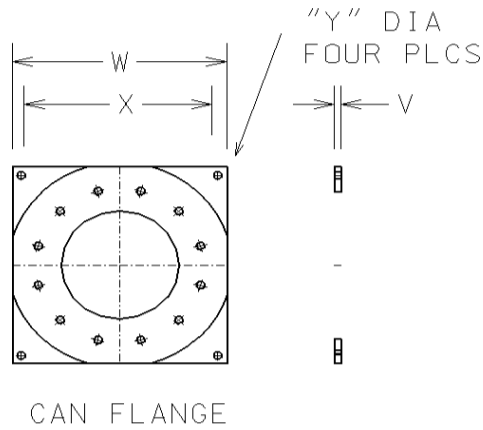
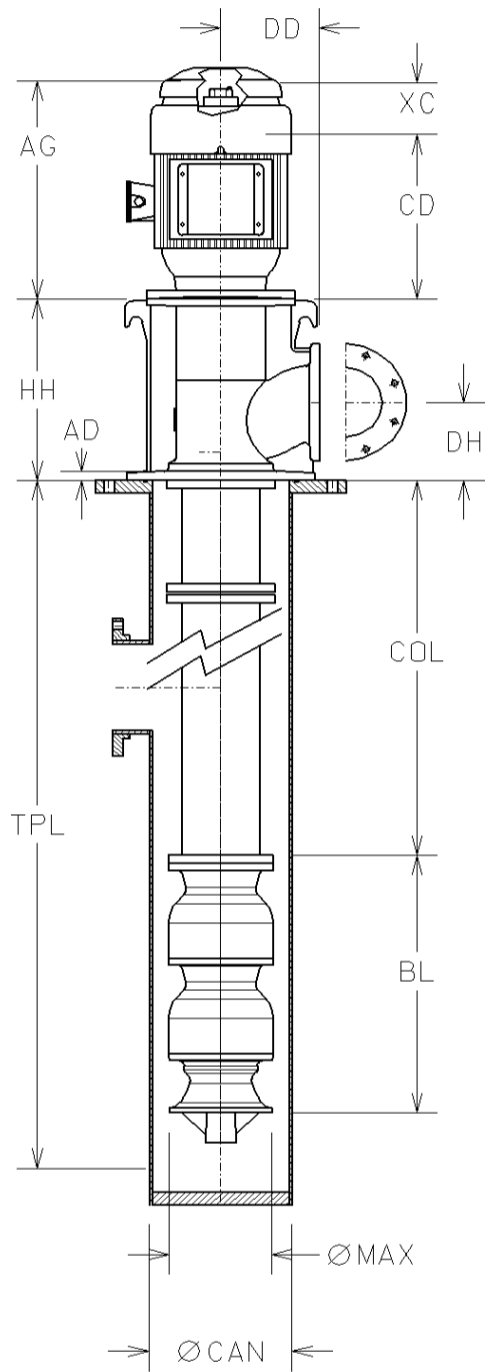


# Outline Type "VIC-DLFM"

## 200.G.06A

U/G SUCTION, "L" DUCTILE IRON HEAD, FLANGED COLUMN<sup>2</sup>



- AD: \_\_\_\_\_
- AG: \_\_\_\_\_
- BL: \_\_\_\_\_
- CAN: \_\_\_\_\_
- CD: \_\_\_\_\_
- COL: \_\_\_\_\_
- DD: \_\_\_\_\_
- DH: \_\_\_\_\_
- DISC: \_\_\_\_\_
- G: \_\_\_\_\_
- H: \_\_\_\_\_
- HH: \_\_\_\_\_
- J: \_\_\_\_\_
- K: \_\_\_\_\_
- MAX: \_\_\_\_\_
- SL: \_\_\_\_\_
- SUCT: \_\_\_\_\_
- TPL: \_\_\_\_\_
- UG: \_\_\_\_\_
- V: \_\_\_\_\_
- W: \_\_\_\_\_
- X: \_\_\_\_\_
- XC: \_\_\_\_\_
- Y: \_\_\_\_\_
- Z: \_\_\_\_\_

Quote No.:	_____
Customer:	_____
Customer P/O:	_____
Project:	_____
Item: _____	Quantity: _____
Date: _____	By: _____

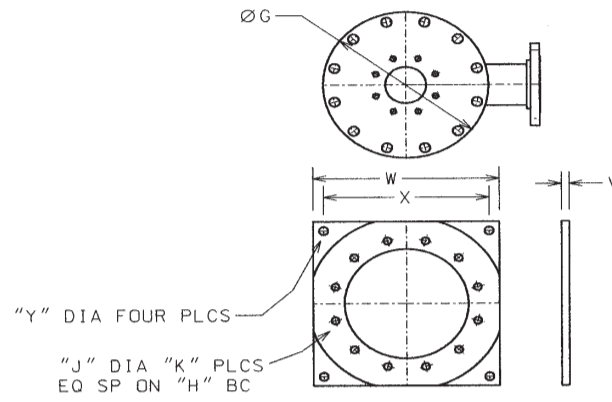
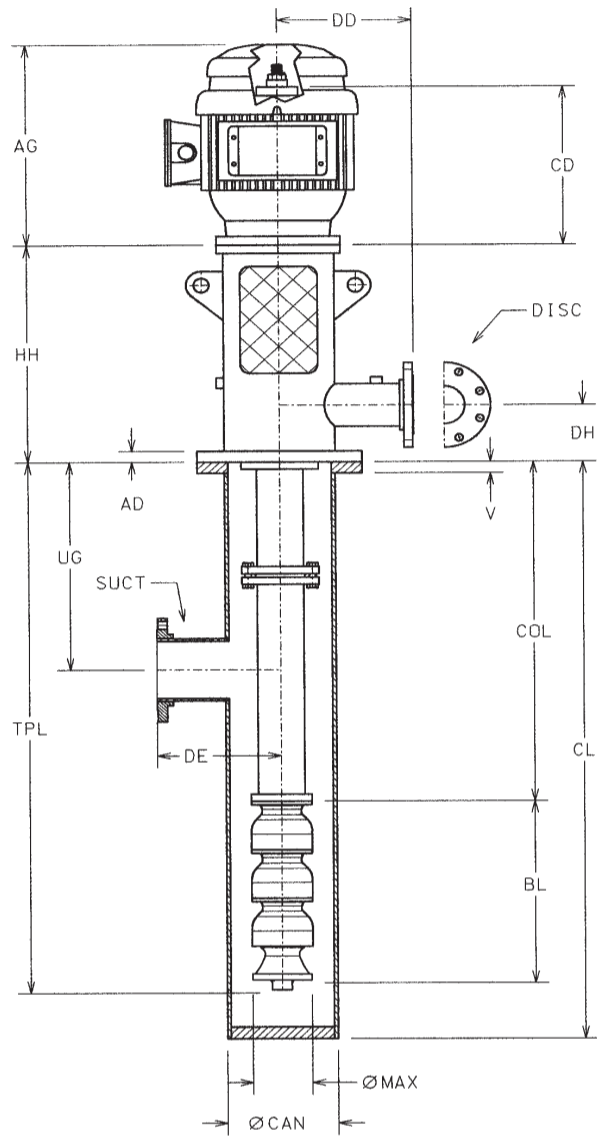
Xylem Inc.  
[www.xylem.com/goulds](http://www.xylem.com/goulds)

Goulds is a registered trademark of Goulds Pumps, Inc. and is used under license.  
 © 2021 Xylem Inc. D200G06A August 2021

- 1: Discharge Head Type, Column Type
- 2: Suction Position, Discharge Head Type, Column Type
- 3: Discharge Position, Discharge Head Type, Column Type

# Outline Type "VIC-FLFM" 200.G.07

U/G SUCTION, FABRICATED HEAD, FLANGED COLUMN<sup>2</sup>



- AD: \_\_\_\_\_
- AG: \_\_\_\_\_
- BD: \_\_\_\_\_
- BL: \_\_\_\_\_
- CAN: \_\_\_\_\_
- CD: \_\_\_\_\_
- CL: \_\_\_\_\_
- COL: \_\_\_\_\_
- DD: \_\_\_\_\_
- DE: \_\_\_\_\_
- DH: \_\_\_\_\_
- DISC: \_\_\_\_\_
- G: \_\_\_\_\_
- H: \_\_\_\_\_
- HH: \_\_\_\_\_
- J: \_\_\_\_\_
- K: \_\_\_\_\_
- MAX: \_\_\_\_\_
- SL: \_\_\_\_\_
- SUCT: \_\_\_\_\_
- TPL: \_\_\_\_\_
- UG: \_\_\_\_\_
- V: \_\_\_\_\_
- W: \_\_\_\_\_
- X: \_\_\_\_\_
- Y: \_\_\_\_\_
- Z: \_\_\_\_\_

Quote No.:	_____
Customer:	_____
Customer P/O:	_____
Project:	_____
Item: _____	Quantity: _____
Date: _____	By: _____

Xylem Inc.  
[www.xylem.com/goulds](http://www.xylem.com/goulds)

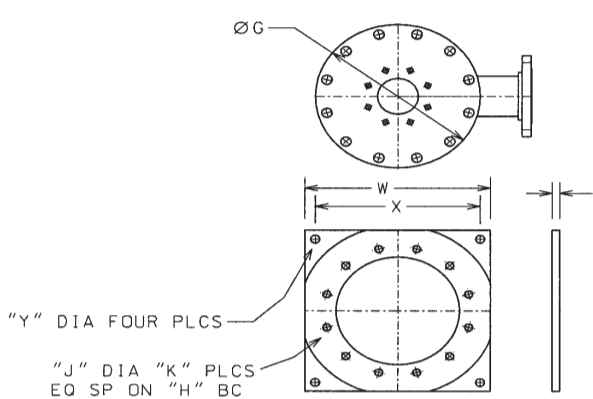
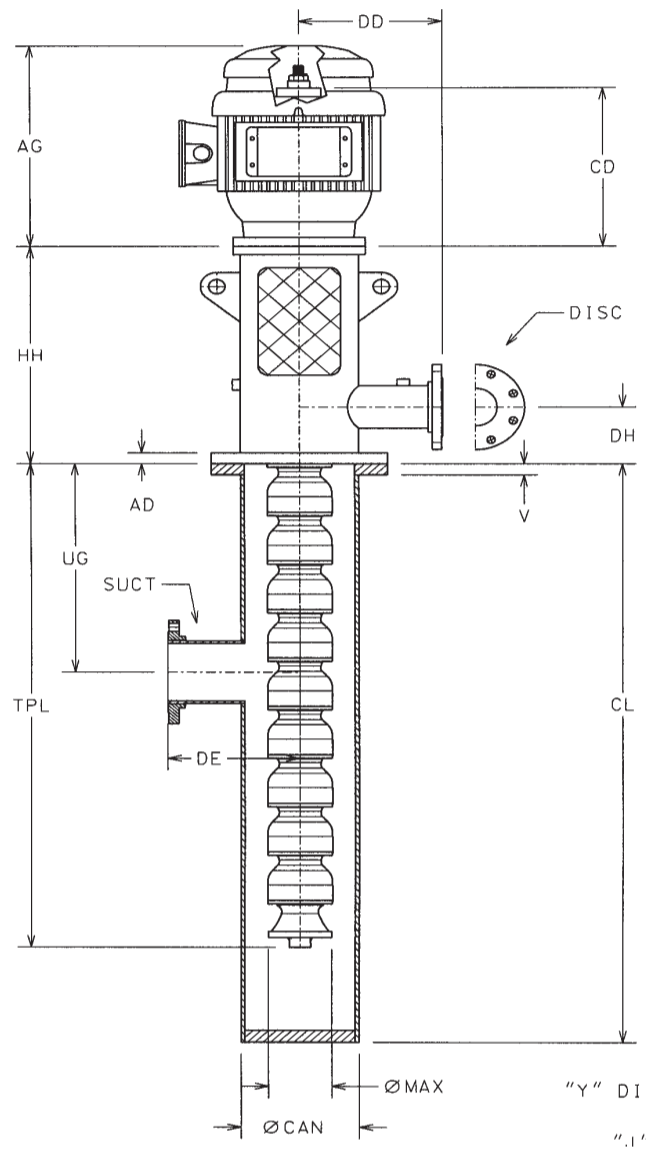
Goulds is a registered trademark of Goulds Pumps, Inc. and is used under license.  
 © 2021 Xylem Inc. D200G07 August 2021

- 1: Discharge Head Type, Column Type
- 2: Suction Position, Discharge Head Type, Column Type
- 3: Discharge Position, Discharge Head Type, Column Type

# Outline Type "VIC-FLCM"

## 200.G.08

U/G SUCTION, FABRICATED HEAD, CLOSE COUPLED<sup>2</sup>



- AD: \_\_\_\_\_
- AG: \_\_\_\_\_
- BD: \_\_\_\_\_
- CAN: \_\_\_\_\_
- CD: \_\_\_\_\_
- CL: \_\_\_\_\_
- COL: \_\_\_\_\_
- DD: \_\_\_\_\_
- DE: \_\_\_\_\_
- DH: \_\_\_\_\_
- DISC: \_\_\_\_\_
- G: \_\_\_\_\_
- H: \_\_\_\_\_
- HH: \_\_\_\_\_
- J: \_\_\_\_\_
- K: \_\_\_\_\_
- MAX: \_\_\_\_\_
- SL: \_\_\_\_\_
- SUCT: \_\_\_\_\_
- TPL: \_\_\_\_\_
- UG: \_\_\_\_\_
- V: \_\_\_\_\_
- W: \_\_\_\_\_
- X: \_\_\_\_\_
- Y: \_\_\_\_\_
- Z: \_\_\_\_\_

Quote No.:	_____
Customer:	_____
Customer P/O:	_____
Project:	_____
Item: _____	Quantity: _____
Date: _____	By: _____

Xylem Inc.  
[www.xylem.com/goulds](http://www.xylem.com/goulds)

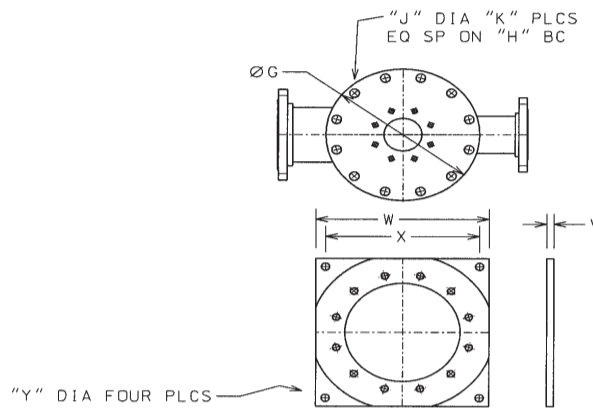
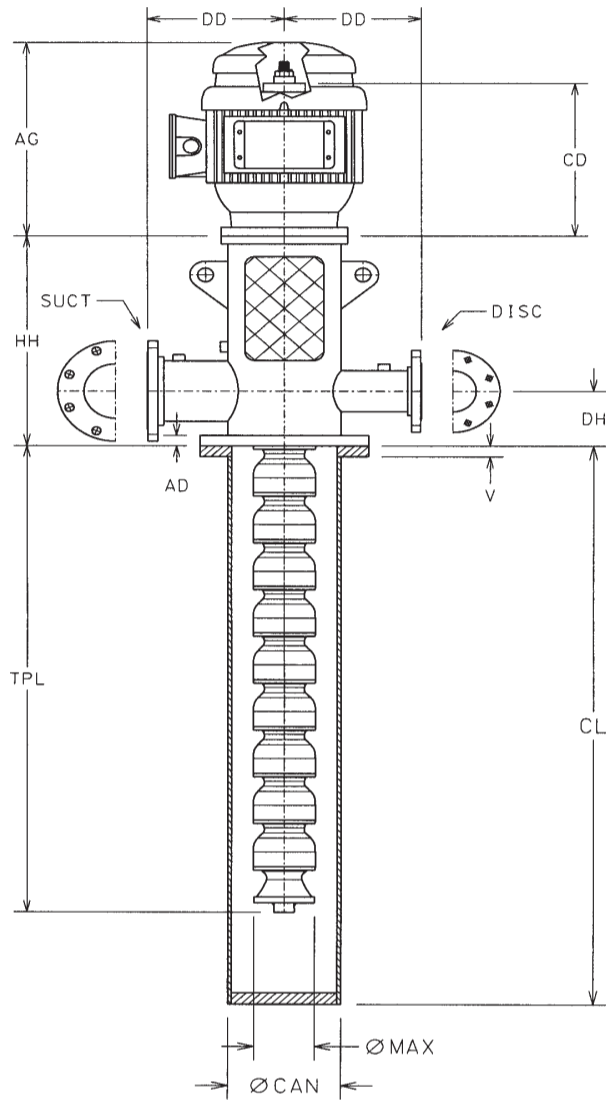
Goulds is a registered trademark of Goulds Pumps, Inc. and is used under license.  
 © 2021 Xylem Inc. D200G08 August 2021

- 1: Discharge Head Type, Column Type
- 2: Suction Position, Discharge Head Type, Column Type
- 3: Discharge Position, Discharge Head Type, Column Type

# Outline Type "VIC-FTCM"

200.G.09

"T" FABRICATED HEAD, CLOSE-COUPLED<sup>1</sup>



- AD: \_\_\_\_\_
- AG: \_\_\_\_\_
- BD: \_\_\_\_\_
- CAN: \_\_\_\_\_
- CD: \_\_\_\_\_
- CL: \_\_\_\_\_
- COL: \_\_\_\_\_
- DD: \_\_\_\_\_
- DH: \_\_\_\_\_
- DISC: \_\_\_\_\_
- G: \_\_\_\_\_
- H: \_\_\_\_\_
- HH: \_\_\_\_\_
- J: \_\_\_\_\_
- K: \_\_\_\_\_
- MAX: \_\_\_\_\_
- SL: \_\_\_\_\_
- SUCT: \_\_\_\_\_
- TPL: \_\_\_\_\_
- V: \_\_\_\_\_
- W: \_\_\_\_\_
- X: \_\_\_\_\_
- Y: \_\_\_\_\_
- Z: \_\_\_\_\_

Quote No.:	_____
Customer:	_____
Customer P/O:	_____
Project:	_____
Item: _____	Quantity: _____
Date: _____	By: _____

Xylem Inc.  
[www.xylem.com/goulds](http://www.xylem.com/goulds)

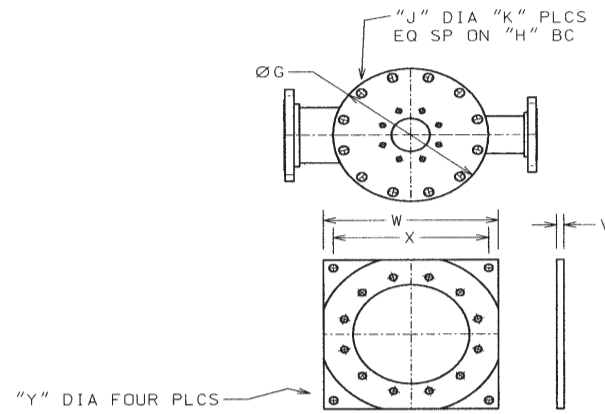
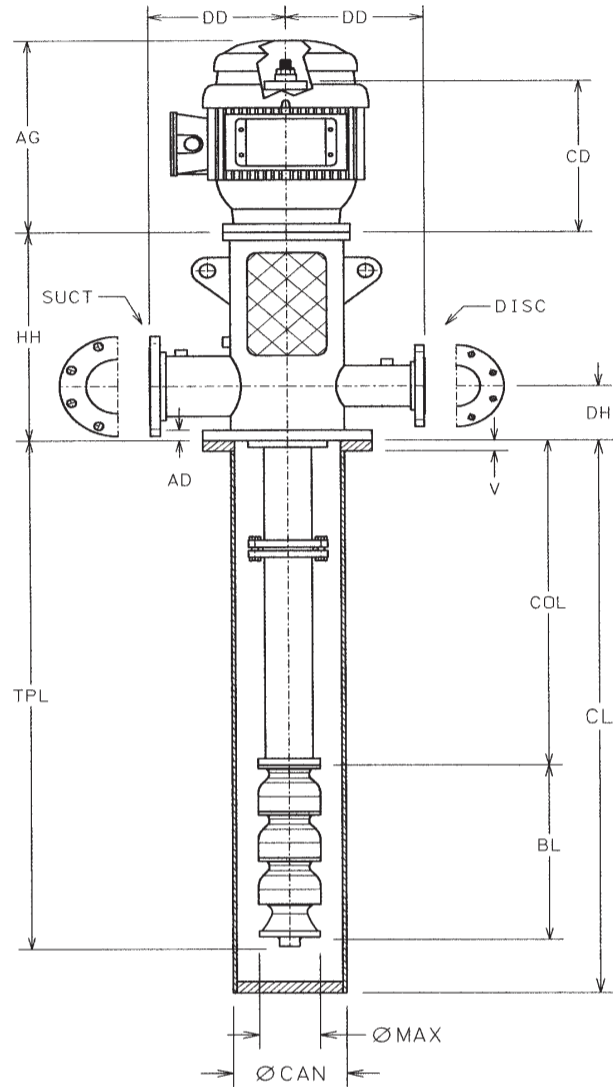
Goulds is a registered trademark of Goulds Pumps, Inc. and is used under license.  
 © 2021 Xylem Inc. D200G09 August 2021

- 1: Discharge Head Type, Column Type
- 2: Suction Position, Discharge Head Type, Column Type
- 3: Discharge Position, Discharge Head Type, Column Type

# Outline Type "VIC-FTFM"

## 200.G.10

"T" FABRICATED HEAD, FLANGED COLUMN<sup>1</sup>



- AD: \_\_\_\_\_
- AG: \_\_\_\_\_
- BD: \_\_\_\_\_
- BL: \_\_\_\_\_
- CAN: \_\_\_\_\_
- CD: \_\_\_\_\_
- CL: \_\_\_\_\_
- COL: \_\_\_\_\_
- DD: \_\_\_\_\_
- DH: \_\_\_\_\_
- DISC: \_\_\_\_\_
- G: \_\_\_\_\_
- H: \_\_\_\_\_
- HH: \_\_\_\_\_
- J: \_\_\_\_\_
- K: \_\_\_\_\_
- MAX: \_\_\_\_\_
- SL: \_\_\_\_\_
- SUCT: \_\_\_\_\_
- TPL: \_\_\_\_\_
- V: \_\_\_\_\_
- W: \_\_\_\_\_
- X: \_\_\_\_\_
- Y: \_\_\_\_\_
- Z: \_\_\_\_\_

Quote No.:	_____
Customer:	_____
Customer P/O:	_____
Project:	_____
Item: _____	Quantity: _____
Date: _____	By: _____

Xylem Inc.  
[www.xylem.com/goulds](http://www.xylem.com/goulds)

Goulds is a registered trademark of Goulds Pumps, Inc. and is used under license.  
 © 2021 Xylem Inc. D200G10 August 2021

- 1: Discharge Head Type, Column Type
- 2: Suction Position, Discharge Head Type, Column Type
- 3: Discharge Position, Discharge Head Type, Column Type