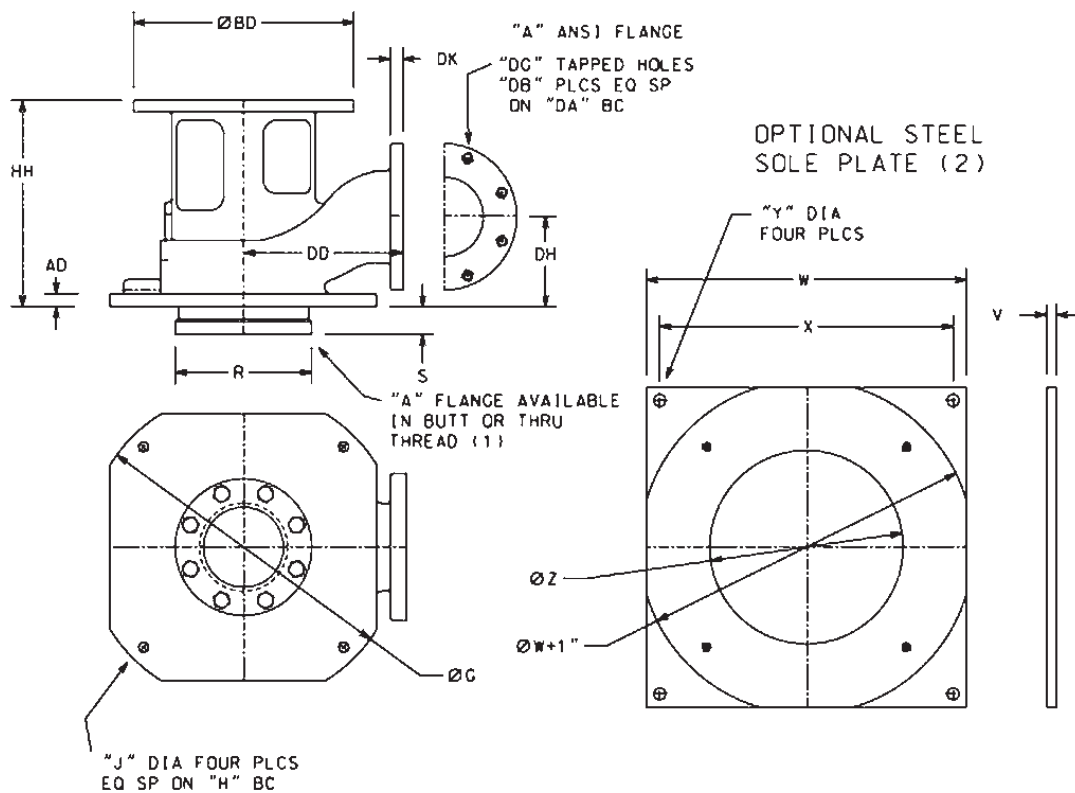


Type "CA" Cast Discharge Head

200.C.01 *(Effective March 15, 2013)*



A	BD	AD	DH	G	H	J	HH	R	S	V	W	X	Y	Z
4"	10	0.75	5.00	16.50	14.00	0.63	13.50	7.50	1.81	0.75	18.00	16.00	0.63	12.00
6"	12, 16.5	1.00	6.75	23.50	21.25	0.75	15.50	10.25	1.81	0.75	24.00	22.00	0.88	14.50
8"	12, 16.5, 20	1.87	7.50	23.50	21.25	0.75	17.50	12.25	2.06	0.75	24.00	22.00	0.88	18.00
10"	16.5, 20	1.87	9.25	25.00	22.75	0.75	19.00	14.60	2.38	0.75	26.00	23.00	0.88	18.00
12"	24.5	1.50	10.75	32.00	30.00	0.88	23.00	19.00	4.13	0.75	34.00	31.00	1.00	24.00

125#

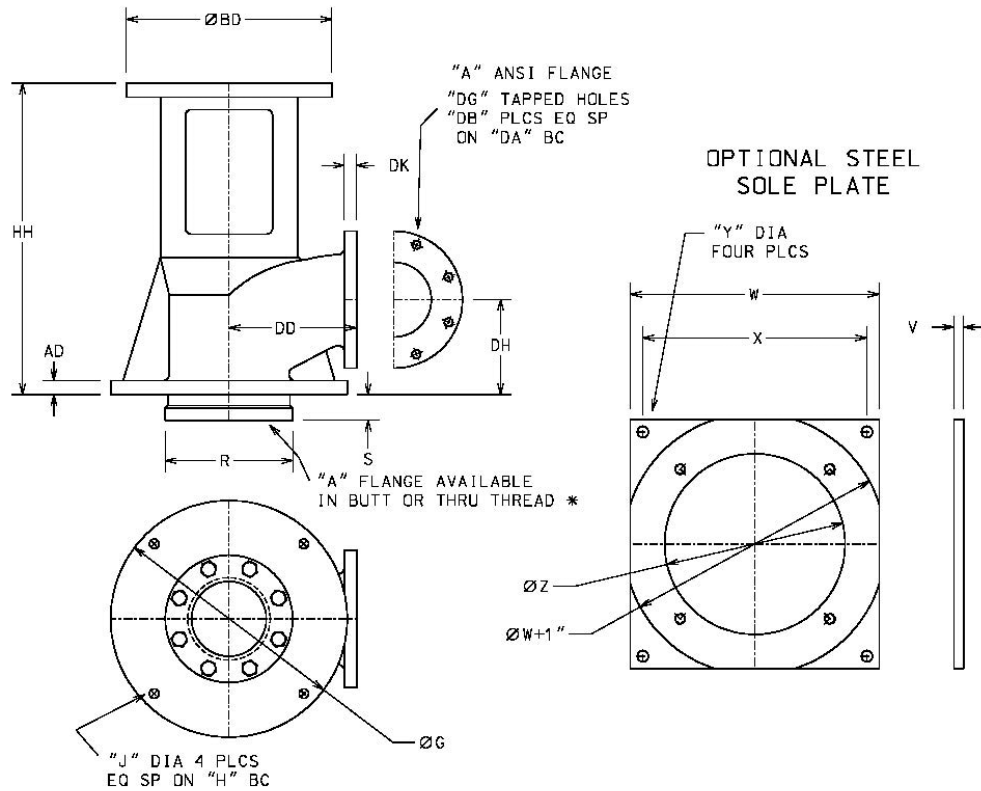
A	DD	DG	DB	DA	DK
4"	9.00	0.62	8	7.50	0.75
6"	12.00	0.75	8	9.50	1.00
8"	13.00	0.75	8	11.75	1.00
10"	14.00	0.88	12	14.25	1.00
12"	16.00	0.88	12	17.00	1.25

(1) Reducing flange available on request.

(2) Cast iron sole plate available for 6" and 8" head

Type "CF" Cast Discharge Head

200.C.02 *(Effective June 1, 2006)*



A	BD	AD	DH	G	H	J	HH	R	S	V	W	X	Y	Z
3"	10	1.19	7.00	16.00	14.00	0.63	22.00	7.50	1.81	0.75	18.00	16.00	0.63	12.00
4"	12	1.19	7.00	16.00	14.00	0.63	22.00	7.50	1.81	0.75	18.00	16.00	0.63	12.00
6"	16.5	1.19	7.63	19.00	17.00	0.75	25.00	10.25	1.81	0.75	20.00	18.00	0.88	14.50
8"	16.5	1.19	8.75	21.00	18.75	0.75	26.00	12.25	2.06	0.75	22.00	19.00	0.88	14.50
10"	16.5	1.37	10.56	25.00	22.75	0.75	28.25	14.62	2.38	0.75	26.00	23.00	0.88	18.00

125#

A	DD	DG	DB	DA	DK
3"	6.50	0.62	4	6.00	1.00
4"	10.00	0.62	8	7.50	1.00
6"	10.25	0.75	8	9.50	1.00
8"	11.50	0.75	8	11.75	1.12
10"	14.00	0.88	12	14.25	1.19

250#

A	DD	DG	DB	DA	DK
3"	6.50	0.75	8	6.63	1.00
4"	10.00	0.75	8	7.88	1.00
6"	10.69	0.75	12	10.63	1.44
8"	12.00	0.88	12	13.00	1.63
10"	14.69	1.00	16	15.25	1.88

Reducing flange available on request.

Xylem Inc.

www.xyleminc.com/brands/gouldswatertechnology

Goulds is a registered trademark of Goulds Pumps, Inc. and is used under license.

© 2012 Xylem Inc. D200C01 March 2013

GOULDS
WATER TECHNOLOGY
a xylem brand